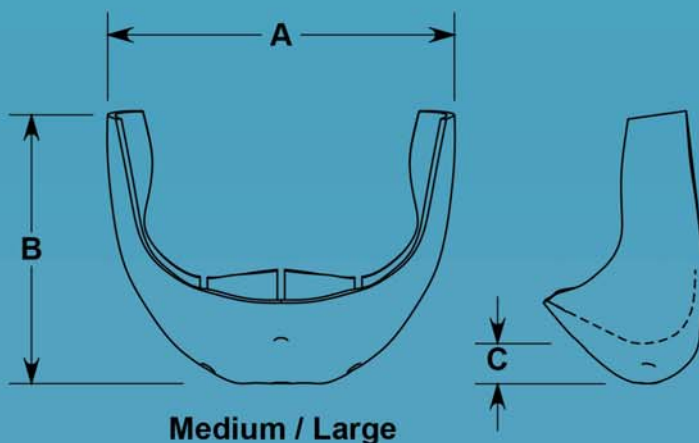
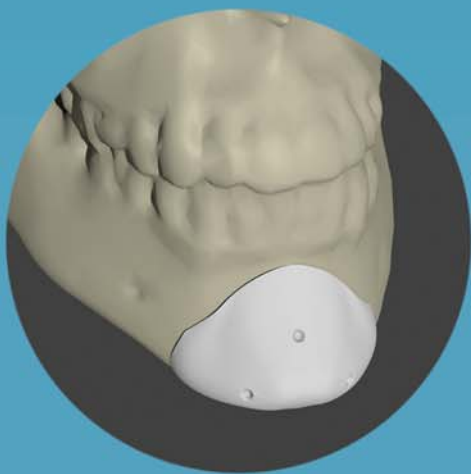


- Subtly augments the medial anterior point of the chin
- Available in multiple sizes allowing for selection of the most natural looking configuration
- Un-matched shape retention and suturability
- Fully porous material for tissue ingrowth
- Implant bends and holds desired shape without heating
- Screws or sutures can be placed in any desired location
- Easy to trim with scissors or scalpel
- Individually packaged, MR Safe, Sterile, 5 Year Shelf Life



Small Displayed



CAT#	Description	A	B	C
4265	Small	40mm	25mm	4m
4266	Medium	47.5mm	37.5mm	5.5mm
4267	Large	48.5mm	38mm	7mm

